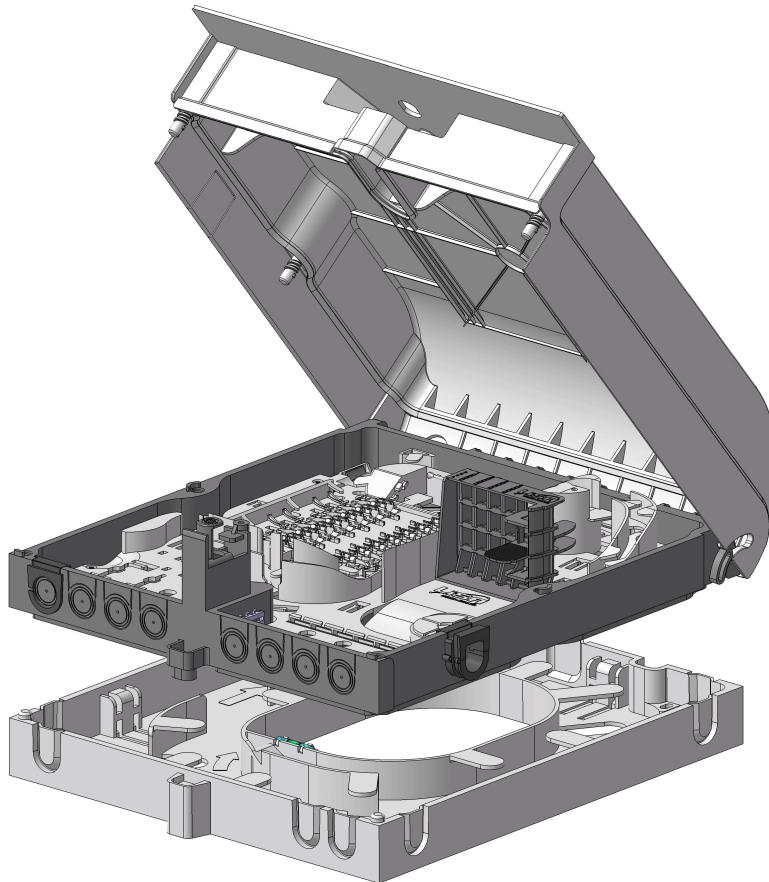




Fiber optic distribution and termination enclosure - OptiBox 16 (OTB16)

Product description

The optical distribution enclosure (OptiBox16) impresses due to its simple design, its wide application range and its customer-friendly handling during installation and maintenance.

The OTB16 is typically used as a fiber optic distribution and termination enclosure, which is ideally suited for splicing, patching and accommodating passive optical components. Additional features as the overlength-frame, a simple side-by-side installation of two or more boxes and the optimized adapter-field makes the OTB16 to an universality box for different application. The installation-friendly plastic enclosure is typically used by telecom customers (FTTH / FITH) and is designed for indoor and moderate outdoor wall mounting (IP56).

A number of mounting points offer users the option of fastening multi-fiber loose tube cables, riser cables, micro cables, patch cords, pre-assembled cable systems or micro conduits, including optional gas/water blockers.

The clearly-defined and easily accessible fiber storage and fiber routing guides are bending radius protected and provide the necessary protection against mechanical influences.

The OTB16 can be equipped with various ACS-series cassettes on a modular basis. It enables both single- and multi-circuit fiber management, as well as simple installation of passive components such as splitters or WDM's.



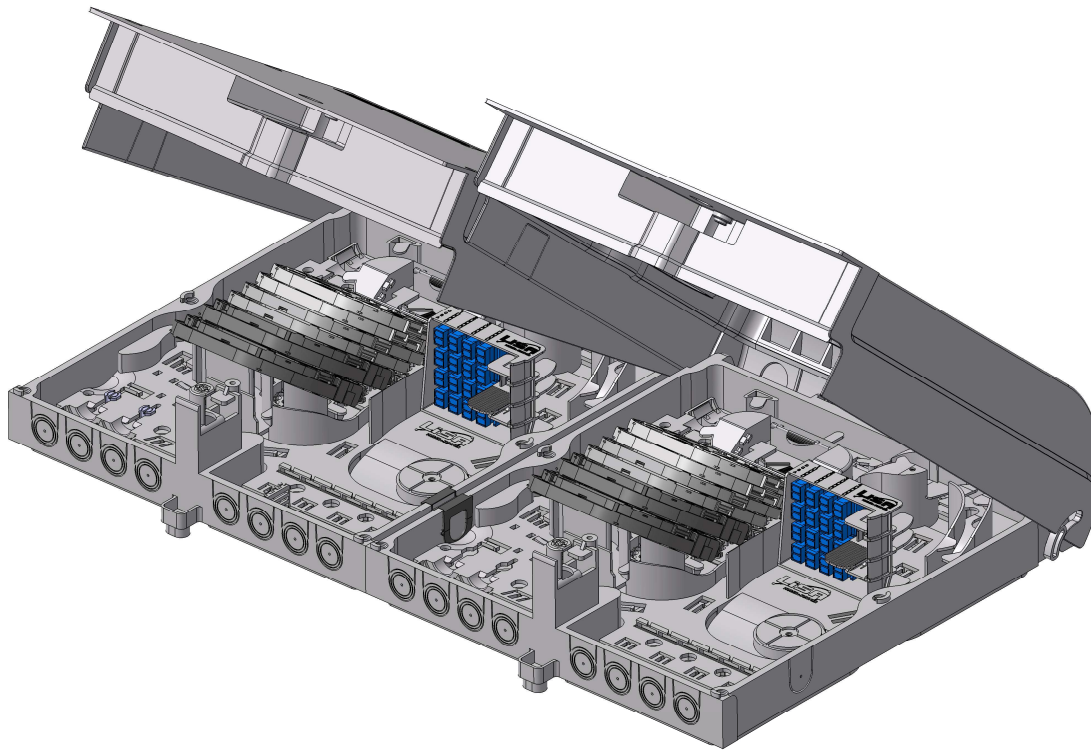
DATA SHEET



Fiber optic distribution and termination enclosure - OptiBox 16 (OTB16)

Characteristics

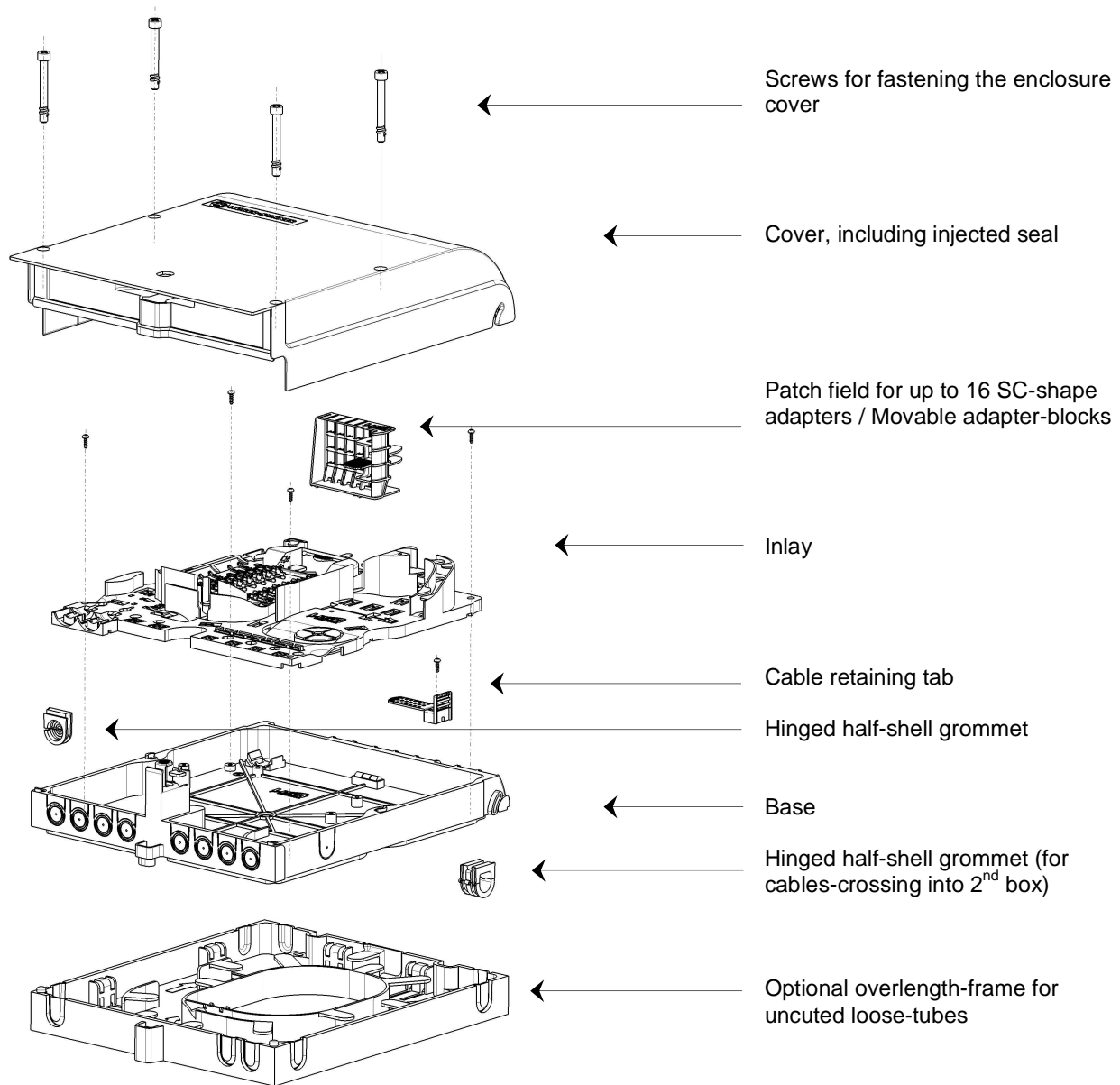
- Splice and patch enclosure comprising a base, fiber inlay and cover
- Patch panel for up to 16 SC-shape adapters (LC Duplex, LX.5 Duplex, SC, E-2000™) / Optimized access because of movable adapter-blocks
- Can be equipped with up to 8 ACS splice cassettes (multi-circuit or single-circuit management)
- Can be equipped with up to 4 ACS splitter cassettes (several splitters can be installed in each cassette)
- Cable inputs: two below and one above
- Cable outputs: one above and six below
- Hinged half-shell grommets ensure simple cable entry and exit / Additional half-shell grommet for easy side-by-side installation
- Bending radius protected fiber overlength storage ($r \geq 28$ mm)
- Pigtail to pigtail configuration
- Optionally with lock
- UV-resistant enclosure
- Enclosure meets the requirements for moderate outdoor applications (IP56).





Fiber optic distribution and termination enclosure - OptiBox 16 (OTB16)

Product overview



Scope of delivery (standard)

As standard, the OTB16 comprises a base, an inlay including a patch field, and a cover. In addition 8 plus 1 hinged half-shell grommets and 6 cable fixing latches are supplied.

In the standard version, additional components such as splice cassettes, adapters, pigtails etc. are supplied separately.

The enclosure, including all additional components, is supplied together with a detailed installation instructions.



DATA SHEET



Fiber optic distribution and termination enclosure - OptiBox 16 (OTB16)

Technical data

Features	Value
Dimensions (W x L x H)	347 x 437 x 109 mm
Non-detachable connection capacity (splices)	Up to 192
Detachable connection capacity (connectors)	16 x SC and E-2000 TM , 32 x LC and LX.5,
Capacity for ACS cassette system	
ACS – MCM splice cassettes (≤ 24 splices)	8
ACS – SCM splice cassettes (≤4 splices)	8
ACS – SPL splitter cassettes	4
Dimensions of cables or blow-in conduit systems with use of grommets	Ø 3 – 18 mm
Material:	
enclosure (cover and base)	PC
Inlay	PC / ABS
Colour:	
enclosure (cover / base)	RAL 7047, telegrey 4
Inlay	RAL 7047, telegrey 4
Grommet	RAL 9005, jet black
Type of protection (EN60529)	IP56
Impact strength (EN62262)	IK07
Temperature resistance (short-term)	-40° to +85°C
Flammability rating, enclosure	UL 94V-0
UV resistance:	resistant
RoHS requirements	fully met
Halogen-free	yes (except hinged half-shell grommets)



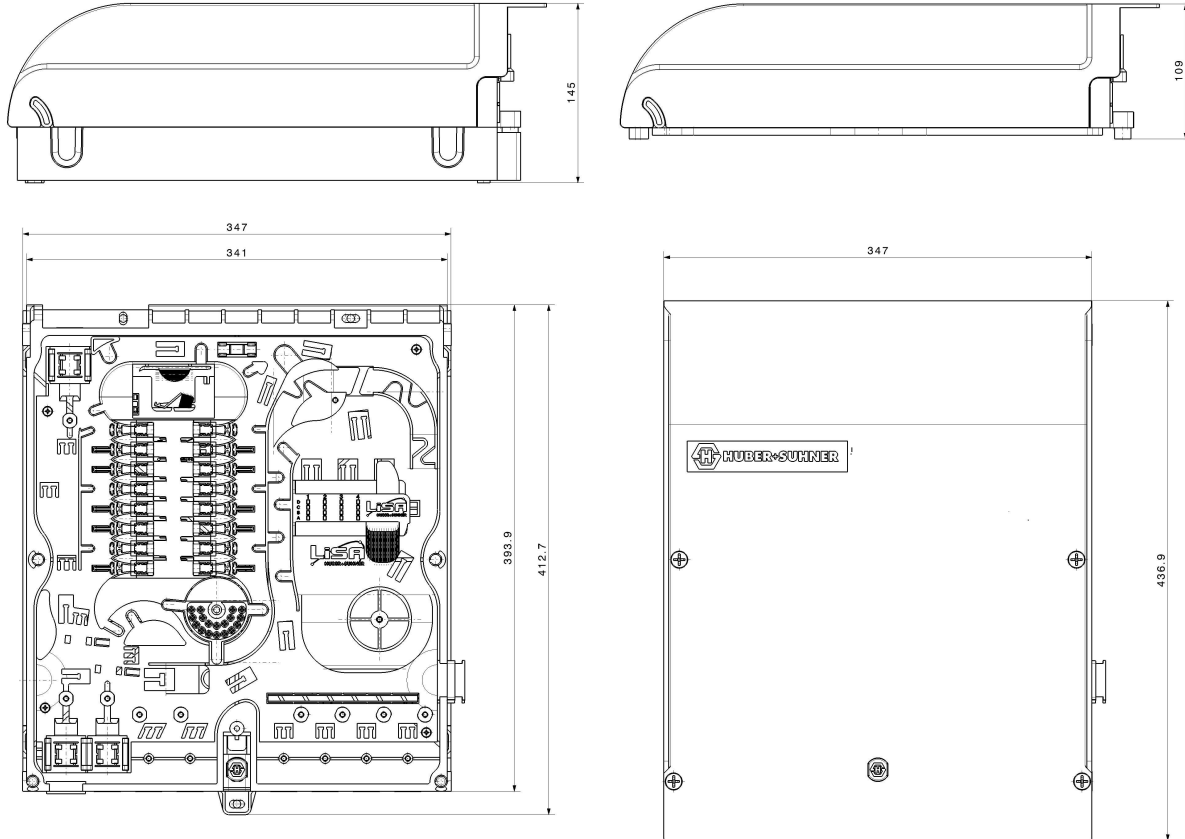
DATA SHEET



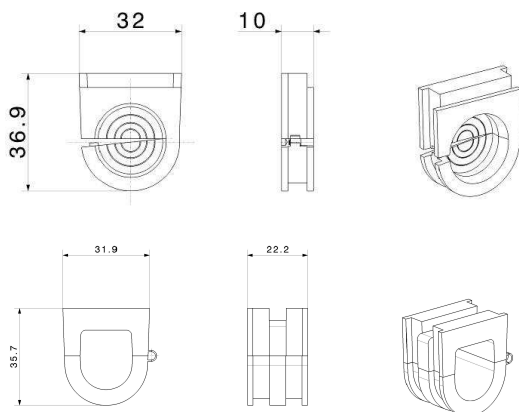
Fiber optic distribution and termination enclosure - OptiBox 16 (OTB16)

Technical drawing

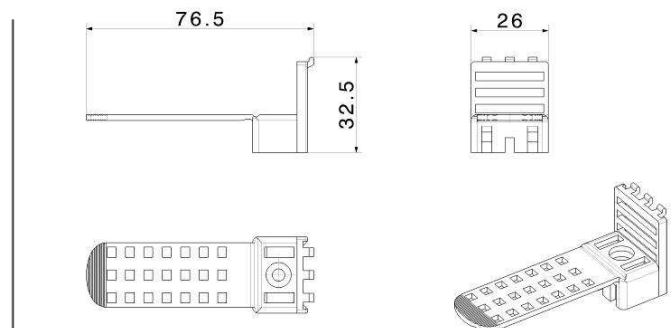
Enclosure



Hinged half-shell grommet



Cable fixing latch





DATA SHEET



Fiber optic distribution and termination enclosure - OptiBox 16 (OTB16)

Accessories and spare parts

	Article number	Documents / links
Strain-relief clip for central elements	84010409	LiSA catalogue (84101813)
ACS cassette SCM (single-circuit cassette)	84123331	FITH catalogue (84128278)
ACS cassette MCM (multi-circuit cassette)	84123330	FITH catalogue (84128278)
ACS cassette SPC (splitter cassette)	84123332	FITH catalogue (84128278)
ACS cassette cover, small (SCM)	84123616	FITH catalogue (84128278)
ACS cassette cover, small (MCM, SCM, SPC)	84123617	FITH catalogue (84128278)
Splice protection sleeves (heat shrink and sandwich)	various	FITH catalogue (84128278)
Splice protectors (heat shrink and sandwich)	various	FITH catalogue (84128278)
Grommet 3-18 mm	84123347	FITH catalogue (84128278)
Cable fixing latch	84123348	FITH catalogue (84128278)
Adapters	various	LiSA catalogue (84101813)
Pigtails	various	LiSA catalogue (84101813)
Overlength frame	85002036	(Detailed information on request)
Lock	84130196	(Detailed information on request)

Relevant documents

Optibox Ordercode	DOC-0000390305
Optibox16 installation instructions	DOC-0000401065
IP Test - Protocol (5X / X6)	DOC-0000 (tbd) / DOC-0000393431
IK Test - Protocol	DOC-0000396791

Further information + news

FITH microsite	www.fiberinthehome.com
H+S website	www.hubersuhner.com

HUBER+SUHNER is certified according to ISO 9001 and ISO 14001



HUBER+SUHNER AG
 Fiber Optics Division
 9100 Herisau/Switzerland
 Tel. +41 (71) 353 41 11
 Fax +41 (71) 353 46 47

Note
 It is exclusively in written agreements that we provide our customers with warrants and representations as to the technical specifications and/or the fitness for any particular purpose. The facts and figures contained herein are carefully compiled to the best of our knowledge, but they are intended for general information purposes only.