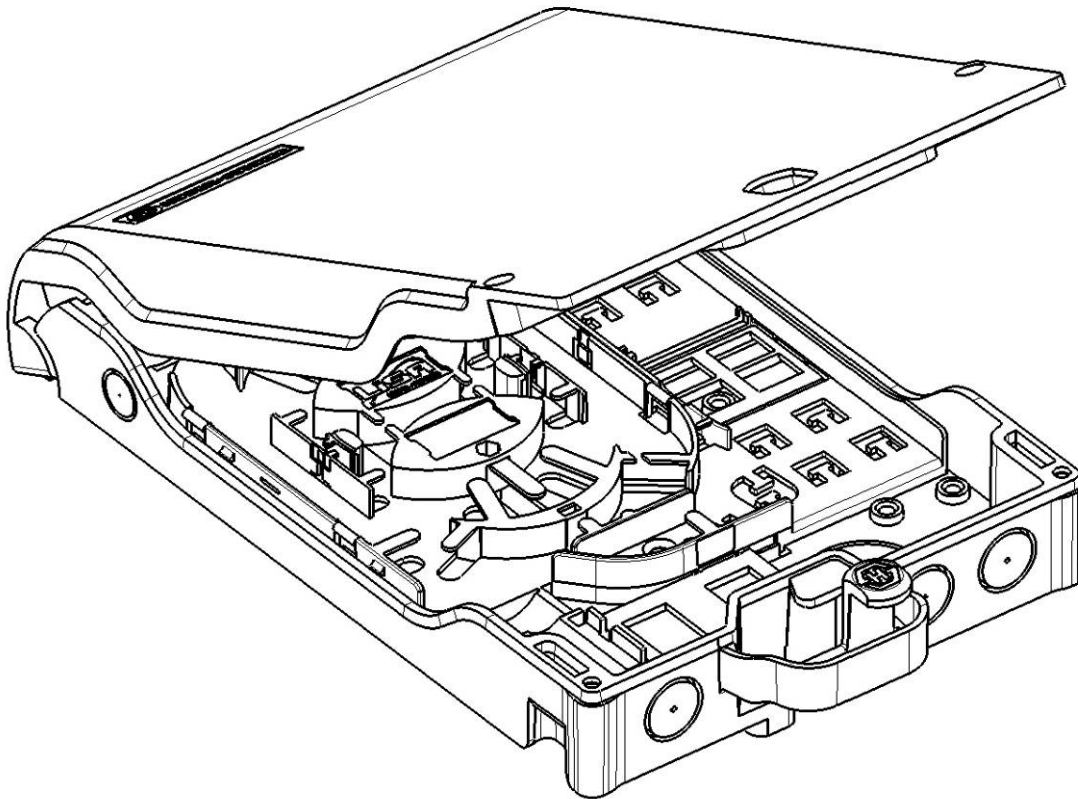




## Distribution and Termination Enclosure „OptiBox 4i“ for industrial applications



**OptiBox 4i** is a fiber optic distribution and termination enclosure, which is used for splicing, patching or to perform with passive optical components.

The straightforward mounting box has its use in various industrial applications where tough environment conditions appear (IP67). The enclosure is therefore especially designed for indoor or outdoor deployment whether mounted onto walls or on poles. In order to protect the fibers from bending or environmental influence, conventional loose tube cables as well as breakout- and mini-breakout cables or MASTERLINE Quick cable divider can be fastened to the inside of the box. Further harsh environment connections such as ODC-2 can be mounted on the outline of the enclosure.

### Characteristics:

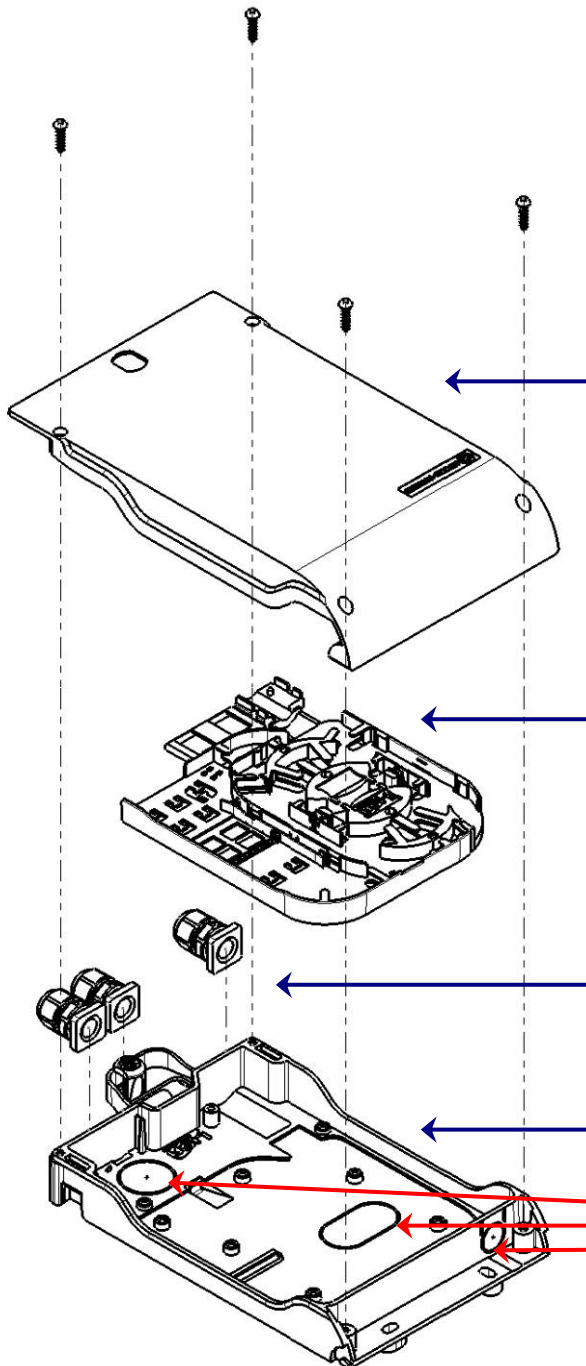
- straightforward mounting splicing and patching box, consisting of base, fiber tray and cover
- detachable fiber management tray (fiber inlay)
- up to 4 adapters in SC shape (LC, LX.5, SC, E-2000™)
- adapters / connectors can be mounted inside or outside of the enclosure
- radius protected fiber overlength storage of 28mm
- Pigtail to Pigtail configuration
- special storage position for unused fibers
- two different levels sharing up to 12 splices
- 1 cable entry, 2 cable exit (optionally one at the top and one through the enclosure)
- outside cable entries and exit are sealed with polymer cable glands
- harsh environment protected ODC-2 (2 fibers) sockets mountable for creating “external” connections
- key lockable cover is individually lead sealable
- UV radiation resistant housing
- enclosure impermeability matches the requirement of tough outdoor applications (IP67)



## Distribution and Termination Enclosure „OptiBox 4i“ for industrial applications

### Product Overview:

OTB4i-0LO-0T-0C-INLAY-FIT – item 84076039



4 „captive“ screws:

plastic screw made out of stainless steel remain in cover provided that they are not screwed out totally

1 OptiBox4i cover:

can be equipped with a cylinder lock and is individually lead sealable

1 fiber management tray (fiber inlay):

with integrated cable / microduct entry  
radius protected (28mm) fiber overlength and cross-out  
management  
storage for unused fibers  
splicing area is separated from storage

3 polymer cable glands:

1 cable entry, 2 cable exit  
cable diameter 5.5 – 10 mm

1 OptiBox 4i base part:

3 round, knock-out cable entry/exit

1 round knock-out cable entry/exit → reduces IP class

1 oval knock-out cable entry/exit → reduces IP class

1 U-shaped knock-out cable entry/exit → reduces IP class

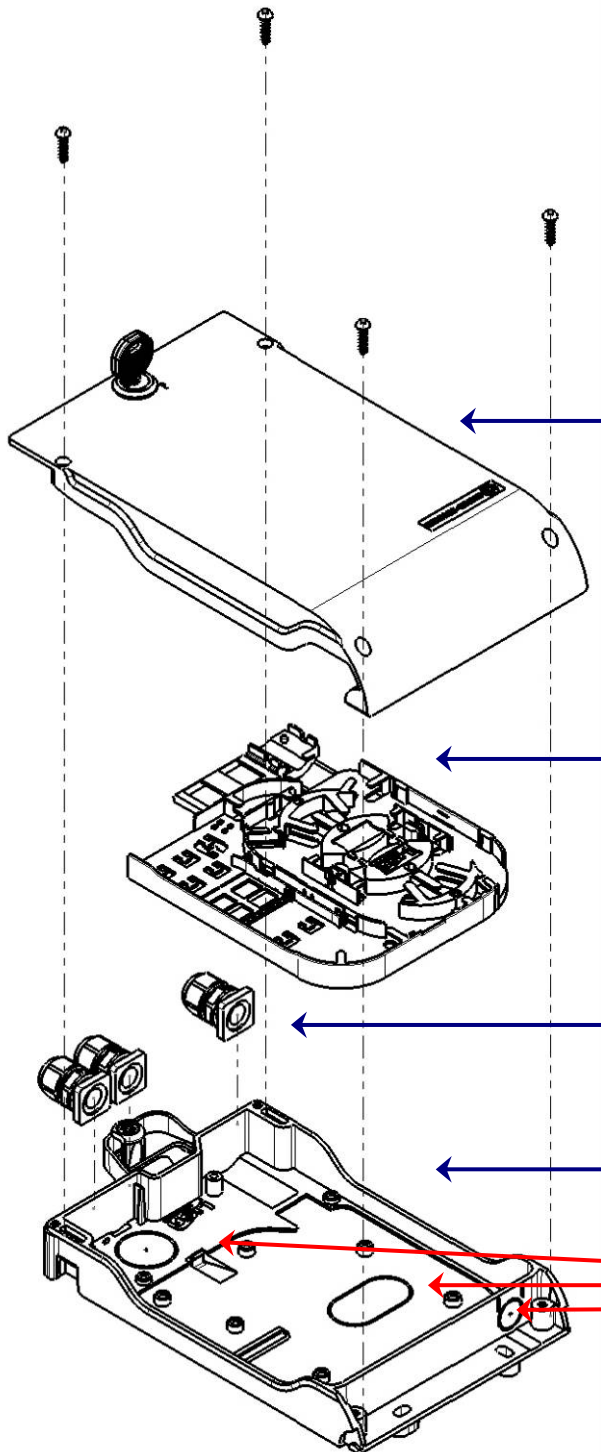
On request, OptiBox 4i is delivered including adapters and connectors. Connectivity components are enclosed as a mounting- kit. Further accessories like splice holder, patch cables, pigtails, MASTERLINE Quick, etc can be included as well, but they have to be ordered individually.



## Distribution and Termination Enclosure „OptiBox 4i“ for industrial applications

### Product Overview:

OTB4i-1LO-0T-0C-INLAY-FIT – item 84078419



#### 4 „captive“ screws:

plastic screw made out of stainless steel remain in cover provided that they are not screwed out totally

#### 1 OptiBox4i cover with lock:

cylinder quarter turn lock model with spring fixing  
protected access to lock fixation  
cover is individually lead sealable

#### 1 fiber management tray (fiber inlay):

with integrated cable / microduct entry  
radius protected (28mm) fiber overlength and cross-out  
management  
storage for unused fibers  
splicing area is separated from storage

#### 3 polymer cable glands:

1 cable entry, 2 cable exit  
cable diameter 5.5 – 10 mm

#### 1 OptiBox 4i base part:

3 round, knock-out cable entry/exit

1 round knock-out cable entry/exit → reduces IP class

1 oval knock-out cable entry/exit → reduces IP class

1 U-shaped knock-out cable entry/exit → reduces IP class

On request, OptiBox 4i is delivered including adapters and connectors. Optical components are enclosed as a mounting-kit. Further accessories like splice holder, patch cables, pigtails, MASTERLINE Quick, etc can be included as well, but they have to be ordered individually.

Distribution and Termination Enclosure „OptiBox 4i“  
for industrial applications

## Technical Data:

Attribute	Value
Dimensions (B x L x H)	150 x 250 x 46 mm
Capacity: detachable optical connections (inside)	8x LC and LX.5, 4x SC and E-2000™
detachable optical connections (outline)	2x ODC-2
non detachable optical connections	24x sandwich-, 12x heat shrink splice protection
Dimension (Ø) cable entry / exit	16mm
Material: enclosure (cover / base)	PC
fiber inlay / extension tray / add-on lid	PC/ABS
enclosure sealing	TPE, shore 50A
lock (cylinder quarter turn lock)	GD-Zn chrome-plated
Weight: enclosure (cover / base)	381gr. (188gr. / 193gr.)
fiber inlay / extension tray / add-on lid	55gr. / 36gr. / 42gr.
lock (cylinder quarter turn lock)	32gr.
Color: enclosure (cover / base)	RAL 7024, graphite grey
fiber inlay / extension tray / add-on lid	RAL 9002, grey white
Ingress protection degree (EN60529)	IP67
Resistance to Impact (EN62262)	IK08
Temperature Resistance Celsius	-46° ... +120°C
Short-term use Fahrenheit	-50° ... +250°F
Temperature Resistance Celsius	-46° ... +81°C
Long-term use Fahrenheit	-50° ... +178°F
Insulation	fully insulated
Flamability rating enclosure (cover / base / gasket)	UL 94V-0 / UL 94V-0 / UL 94V-2
fiber inlay / extension tray / add-on lid	UL 94V-0
UV Resistance: enclosure (cover / base)	resistant
fiber inlay / extension tray / add-on lid	limited resistant
Free of Halogen	yes
Chemical Resistance	good
RoHS requirements	fully comply



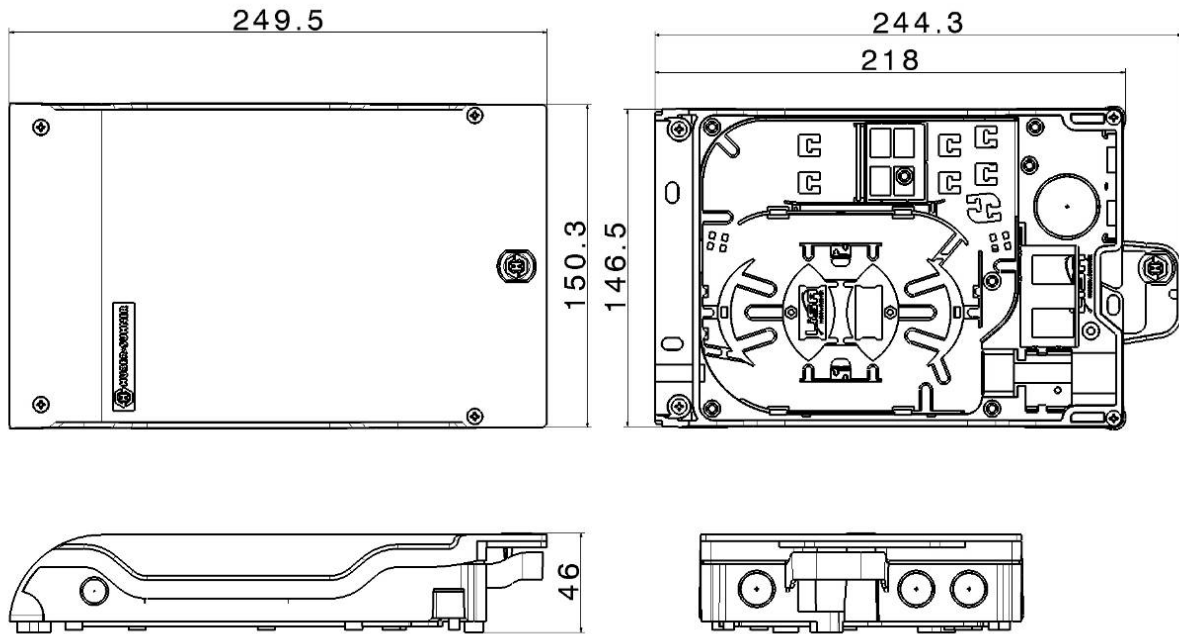
## Data sheet



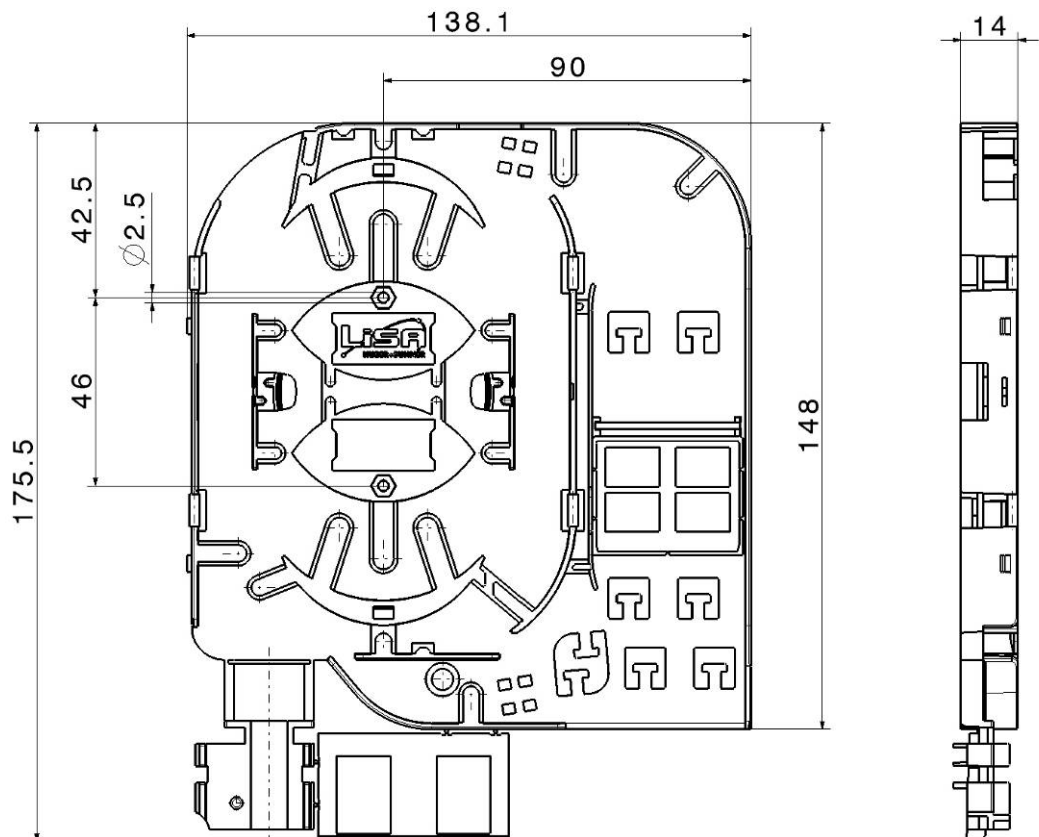
### Distribution and Termination Enclosure „OptiBox 4i“ for industrial applications

#### Technical drawings:

enclosure:



fiber management tray:

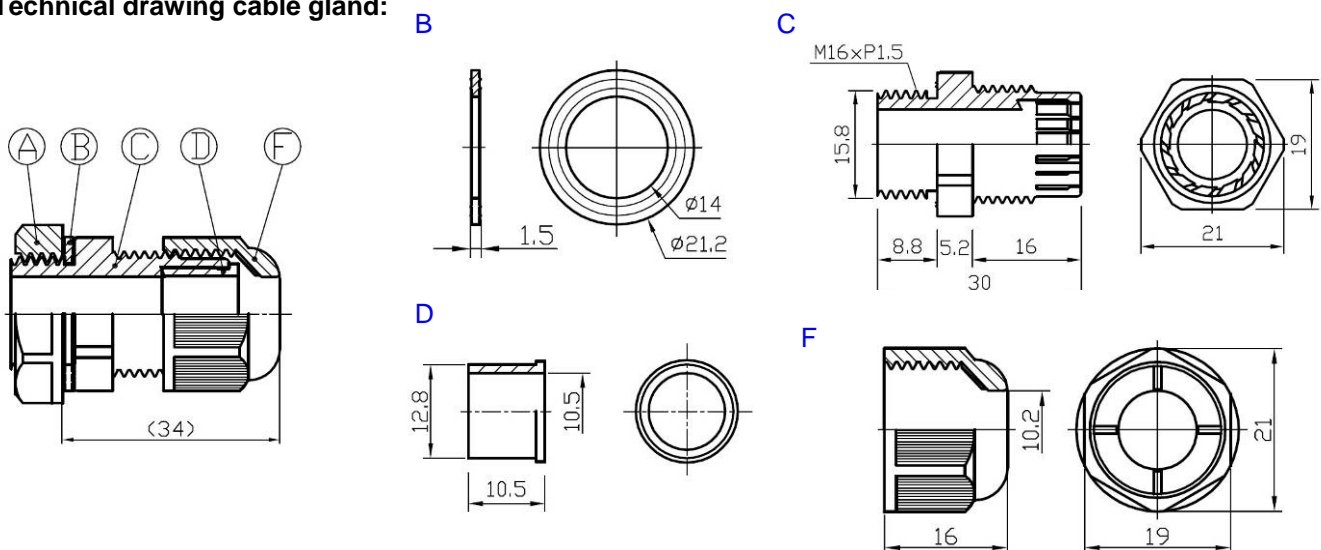


Distribution and Termination Enclosure „OptiBox 4i“  
for industrial applications

Technical Data cable gland:

Attribute		Value
Dimension		M16 x 1.5
Cable Ø		5.5 – 10 mm
Assembly		
B	gasket	
C	body	
D	cable sealing	
F	threaded cap	
Thread type		metric, according EN 60423
Material:		Nylon PA66
Colore:		RAL 9005, jet black
Ingress protection degree (EN60529)		IP 68 – 5 bar (5kg/cm <sup>2</sup> )
Temperature Resistance	Celsius	-46°C ... +160°C
Short-term use	Fahrenheit	-50°F ... +320°F
Temperature Resistance	Celsius	-46°C ... +105°C
Long-term use	Fahrenheit	-50°F ... +220°F
Insulation		fully insulated
Flamability rating		UL 94V-0
UV Resistance:		resistant
Free of Halogen		yes
Chemical Resistance		good
RoHS requirements		fully comply

Technical drawing cable gland:



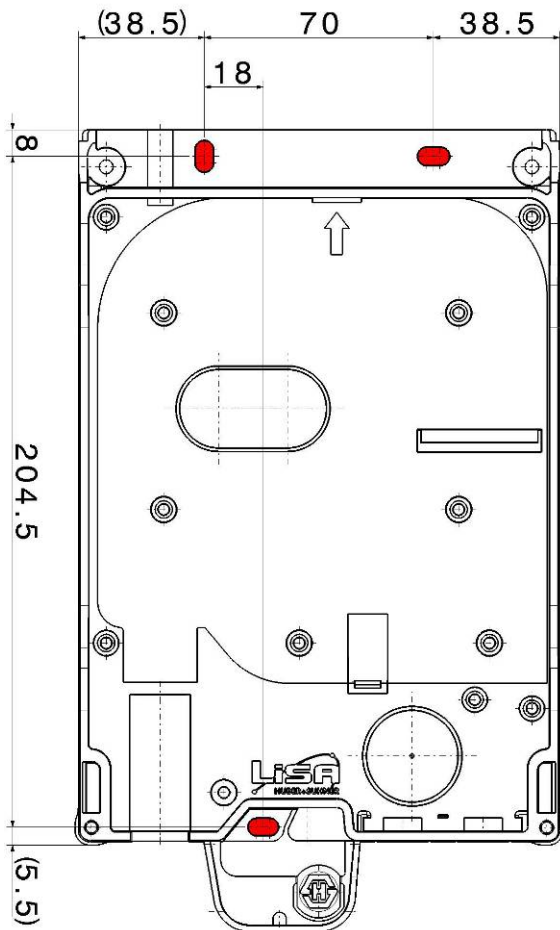


## Data sheet

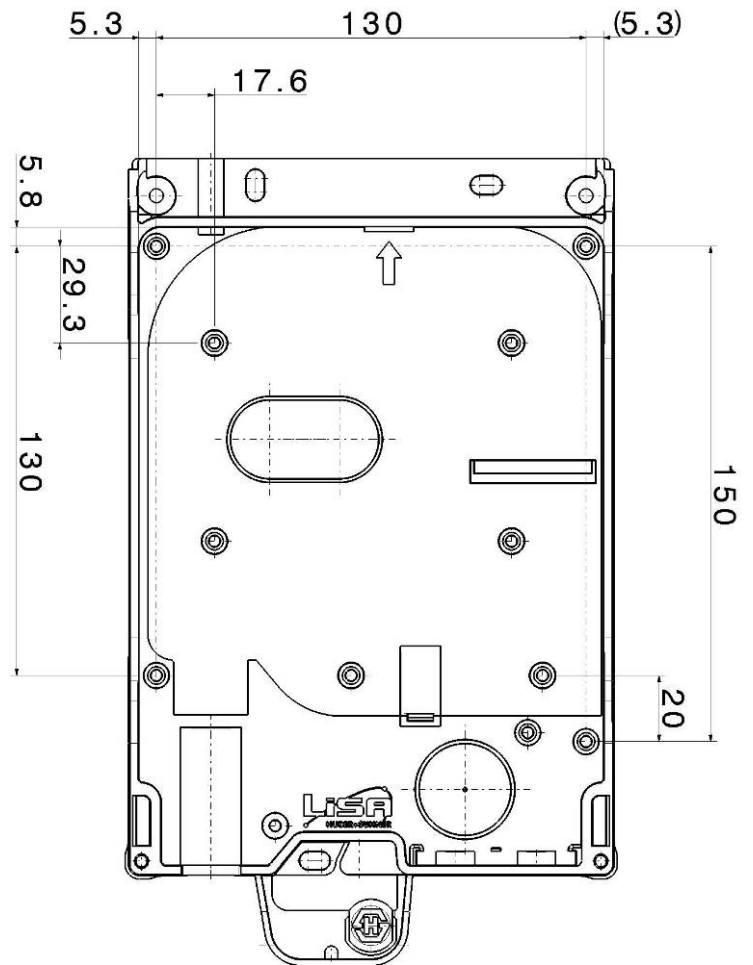


### Distribution and Termination Enclosure „OptiBox 4i“ for industrial applications

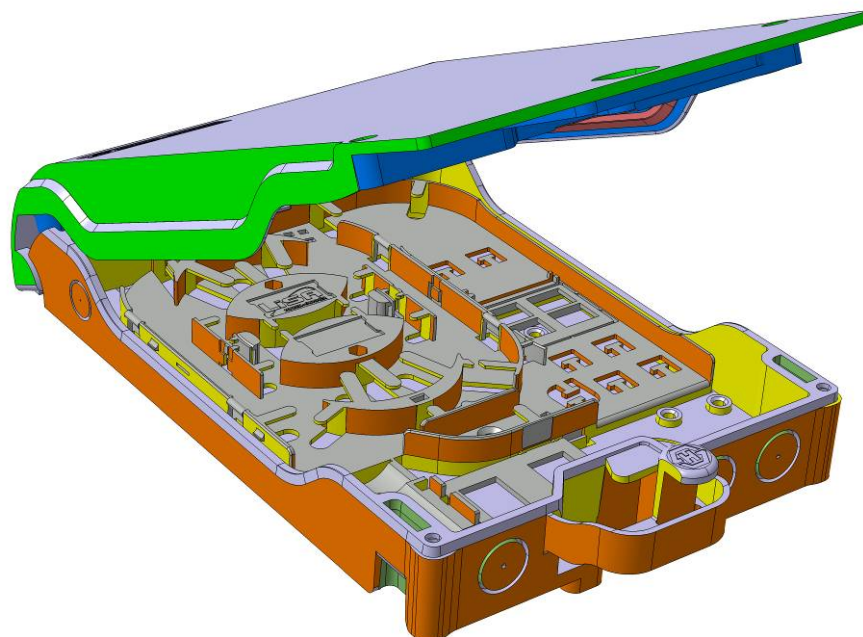
drilling template:



mounting positions in base part:



3 – dimensional drawing:





## Data sheet



### Distribution and Termination Enclosure „OptiBox 4i“ for industrial applications

#### Article description code:

<b>OTB 4i</b>	OptiBox 4i, (industrial make)
<b>0LO</b> <b>1LO</b>	NO Lock with Lock
<b>0T</b> <b>1T</b>	NO extension tray with extension tray
<b>0C</b> <b>1C</b>	NO add-on lid with add-on-lid
<b>INLAY</b>	with fiber inlay
<b>FIT</b>	assembled

#### Additional Documents:

Document	Doc-Nummer
customer drawings enclosure OptiBox 4i	DPR-00124203.1
drilling template	DOU-00124200.2
mounting positions in base	DOU-00124200.3
fiber management tray	DPA-00113637.1
mounting instruction OptiBox 4i	DOC-0000294965
tender text OptiBox 4i	DOC-0000295200
application guideline OptiBox 4i	DOC-0000295790
data sheet pole mounting kit OptiBox 4	DOC-0000296167
mounting instruction pole mounting OptiBox 4	DOC-0000296166
product presentation	non
product brochure (catalogue extract)	non

HUBER+SUHNER is certified according to  
ISO 9001 and ISO 14001.



HUBER+SUHNER AG  
Fiber Optics Division  
9100 Herisau/Switzerland  
Tel. +41 (71) 353 41 11  
Fax +41 (71) 353 46 47  
Email [intouch@hubersuhner.com](mailto:intouch@hubersuhner.com)

WAIVER  
It is exclusively in written agreements that we provide our customers with warrants and representations as to the technical specifications and/or the fitness for any particular purpose. The facts and figures contained herein are carefully compiled to the best of our knowledge, but they are intended for general informational purposes only.