

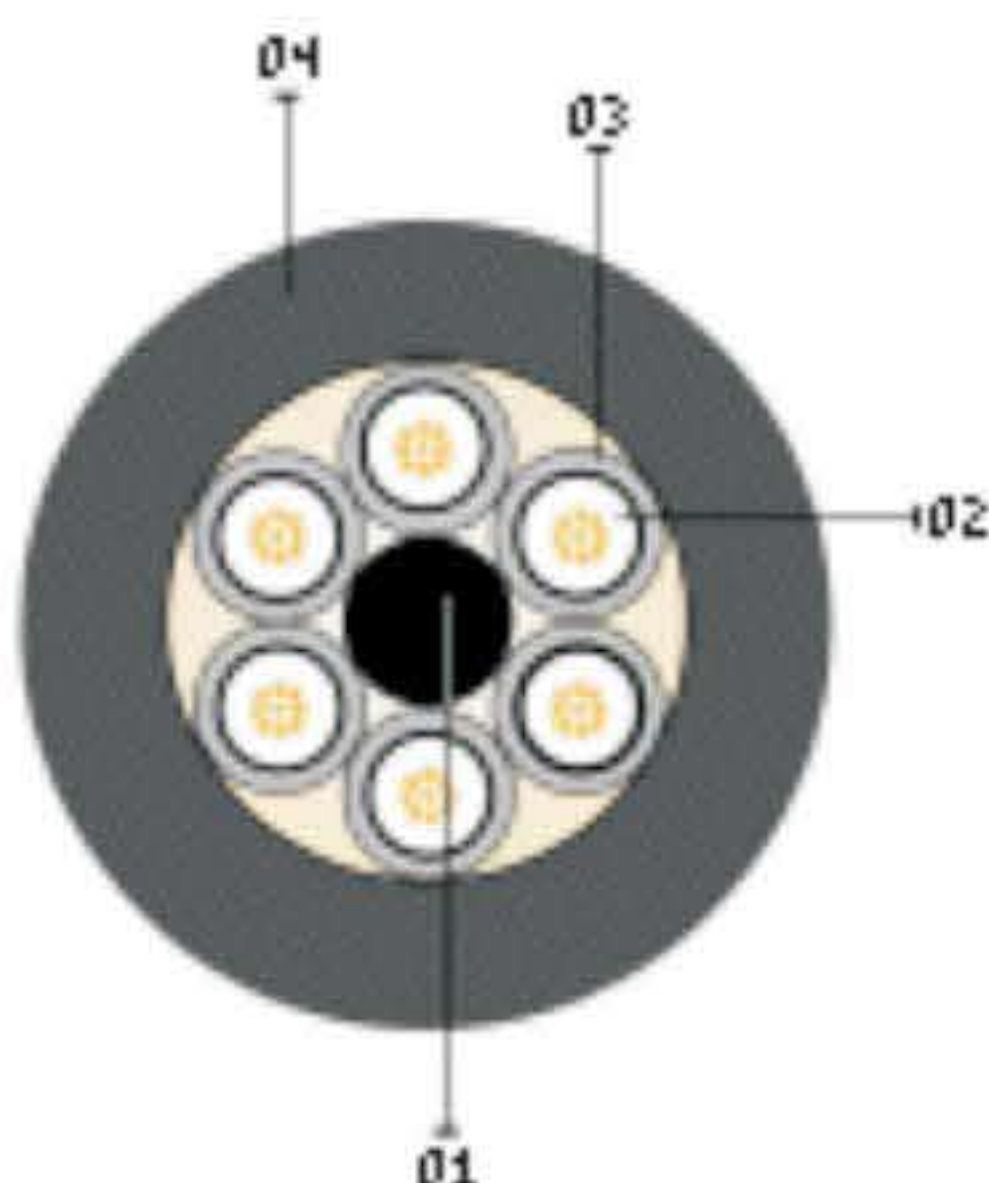
.....

OPTRAL

ABD / ET.6.24



Multitube Distribution Cable FTTx



Cable Description

- 01. Central Element (GRP)
- 02. Fibre Optics
- 03. Loose Tubes (Jelly Filled)
- 04. Outer Jacket

Applications

Outdoor



Advantages

Compact / Tough / Resistant / Totally Dielectric / Excellent resistance to friction / Suitable for "air blowing" systems.



SPECIFICATIONS	
Fibre Count	144
Total Tubes / Active Tubes	6 / 6
Fibres per Tube	24
Tube Ø (mm)	2.2
Identification Fibres / Tubes	Colour Code ¹
Outer Jacket	Black Polyethylene
Weight (Kg/Km)	50
Outer Ø (mm)	6.5 ^{±0.2}
Max. Tensile Load (N)	1500
Temperature Range (Operation)	-40°C to +70°C
Min. Bending radius (mm)	20 x Outer Ø

Standards

Environmental and mechanical tests according to EN 187000 and IEC 60794.

¹ Fibres: Red – Green – Blue – Yellow – Violet – White – Grey – Orange – Brown – Pink – Black – Turquoise. With 1 ring: Red – Green – Blue – Yellow – Violet – White – Grey – Orange – Brown – Pink – Black – Turquoise

.....

.....