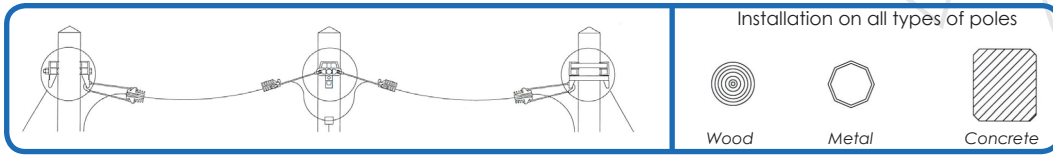


# TECHNICAL SPECIFICATION

## Universal Pole Bracket UPB

Photos non contractuelles - F/AXXX - 03/10 - V.0



## DESCRIPTION

The UPB bracket is manufactured from aluminium alloy with correspondingly high mechanical strength. Its unique patented design has been developed to propose a universal fitting covering all installation situations on wooden, metal or concrete poles :

- Suspension of running out rollers
- Jointing points
- Stay systems
- Angle points
- Cross-arm installation
- Derivation points
- Dead-ending of single, double or triple parallel lines
- Dead-ending of several drop wires



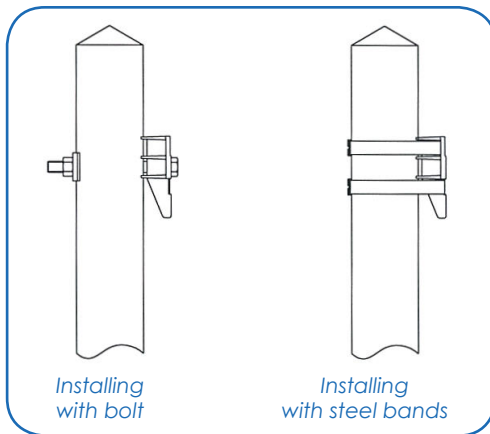
## INSTALLATION

### With steel bands

The UPB bracket can be installed on any type of pole – drilled or undrilled – with two 20x0.7 mm stainless steel bands SB207 plus two buckles B20 (check our pole banding products). Usually allow two bands of one meter each per bracket.

### With bolts

If the top of the pole is drilled (wooden poles, occasionally concrete poles) the UPB bracket can also be secured with a 14 or 16 mm bolt. The bolt length should be at least equal to the pole diameter + 50 mm (bracket thickness). Check our bolts



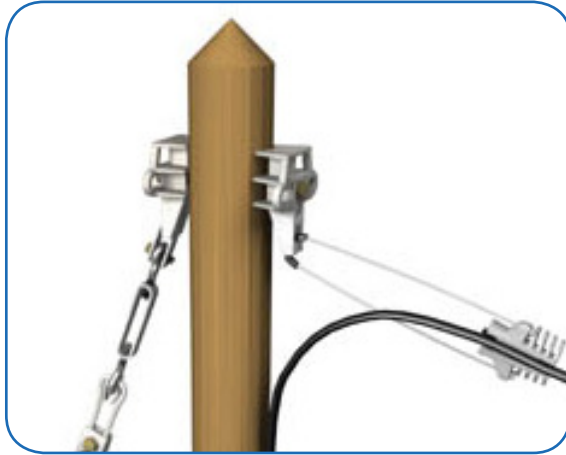
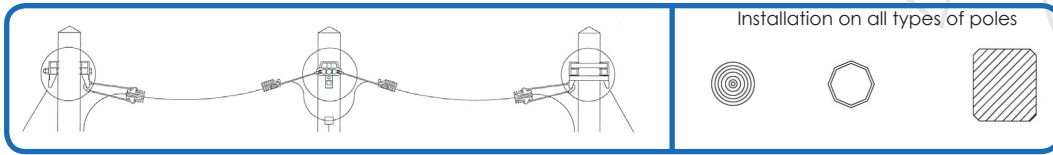
## CHARACTERISTICS

Universal Pole Bracket UPB		Installation										
	<ul style="list-style-type: none"> <li>• With two 20 mm or 3/4 inch steel bands</li> <li>• With one 14 or 16 mm dia. Bolt</li> </ul>											
	<table border="1"> <thead> <tr> <th>Max. working loads (Safety factor = 3)</th> <th></th> </tr> </thead> <tbody> <tr> <td>• Dead-ending F1</td> <td>500 daN – 1100 lbs</td> </tr> <tr> <td>• Dead-ending F2</td> <td>300 daN – 650 lbs</td> </tr> <tr> <td>• Guying / stay F3</td> <td>930 daN – 2050 lbs</td> </tr> <tr> <td>• Service lines F4</td> <td>200 daN – 450 lbs</td> </tr> <tr> <td>• Angles F5</td> <td>500 daN – 1100 lbs</td> </tr> </tbody> </table>	Max. working loads (Safety factor = 3)		• Dead-ending F1	500 daN – 1100 lbs	• Dead-ending F2	300 daN – 650 lbs	• Guying / stay F3	930 daN – 2050 lbs	• Service lines F4	200 daN – 450 lbs	• Angles F5
Max. working loads (Safety factor = 3)												
• Dead-ending F1	500 daN – 1100 lbs											
• Dead-ending F2	300 daN – 650 lbs											
• Guying / stay F3	930 daN – 2050 lbs											
• Service lines F4	200 daN – 450 lbs											
• Angles F5	500 daN – 1100 lbs											
	Material	Aluminium alloy										
	Weight	0,2 kg - 0.44 lbs.										
	Packaging unit	30										

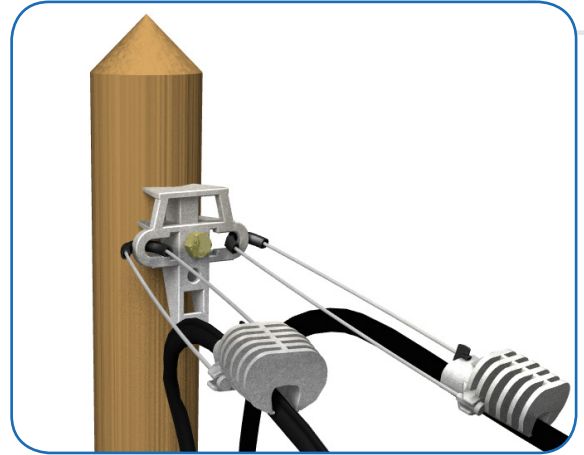
# TECHNICAL SPECIFICATION

## Universal Pole Bracket UPB

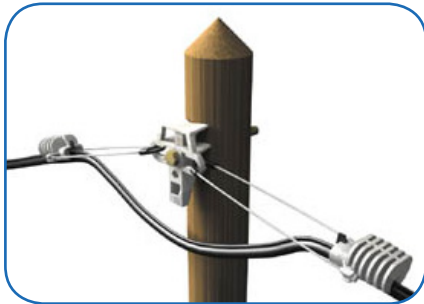
Photos non contractuelles - F/AXXX - 03/10 - V.0



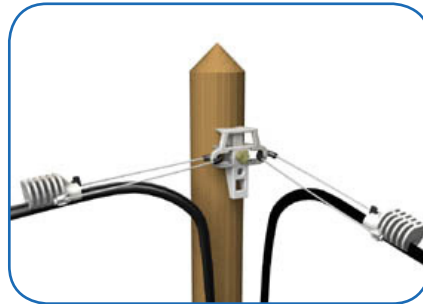
Single dead-end  
Stay



Double dead-end



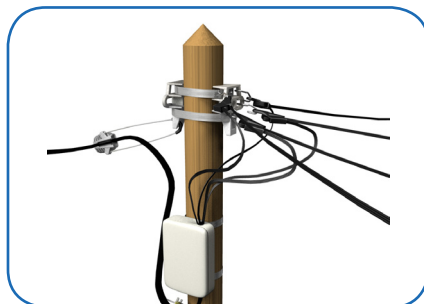
Double anchoring  
(angle poles)



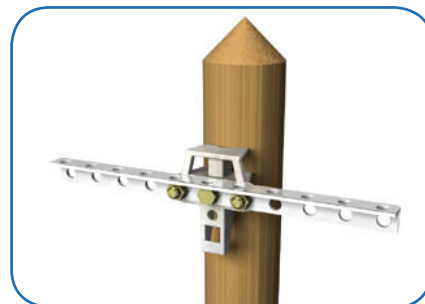
Double dead-ending  
(jointing poles)



Triple dead-ending  
(distribution poles)



Securing of multiple drops



Fixing of cross-arm 5/14  
with 2 bolts 1/13