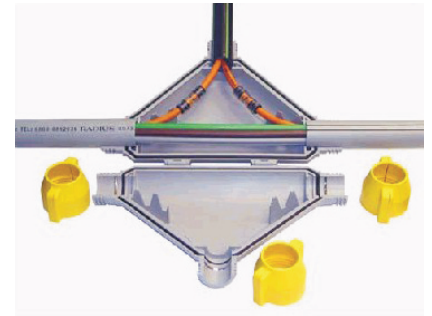




## T Enclosure RA

T enclosure used for branching microduct routes from 2 directions.



### Technical specification

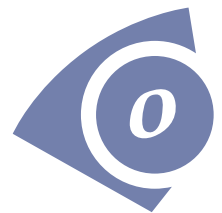
Body material:	2m Water head
Sealing:	356 / 235/ 70
Dimension:	Direct burial or manholes
Use:	Reopenable, Splittable
Detail specs:	Tool free assembly
Installation Manual:	YES



### Ordering Codes

### Description

SMXT40/40/25	Enclosure T 40/40/25 mm
SMXT40/40/32	Enclosure T 40/40/32 mm
SMXT40/40/40	Enclosure T 40/40/40 mm
SMXT40/40/50	Enclosure T 40/40/50 mm
SMXT50/50/25	Enclosure T 50/50/25 mm
SMXT50/50/32	Enclosure T 50/50/32 mm
SMXT50/50/40	Enclosure T 50/50/40 mm
SMXT50/50/50	Enclosure T 50/50/50 mm



### Product Name

T Enclosure RA

Unit of issue:  
Packaging:

1 pc  
paper box

Other details:

